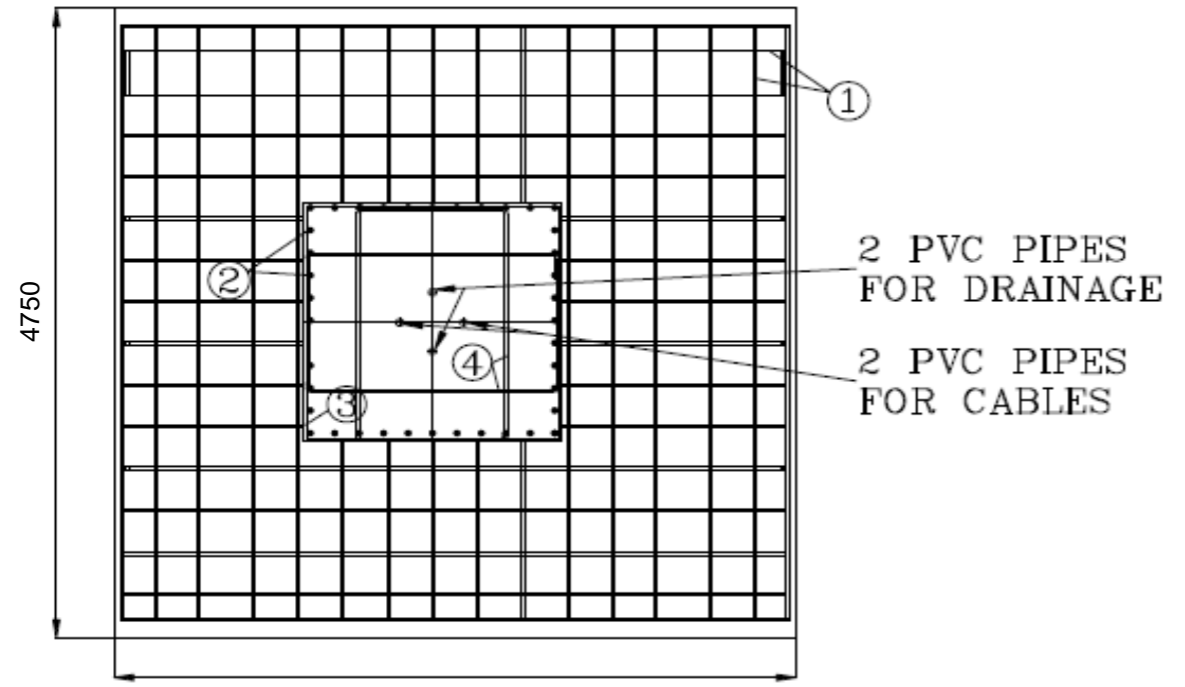


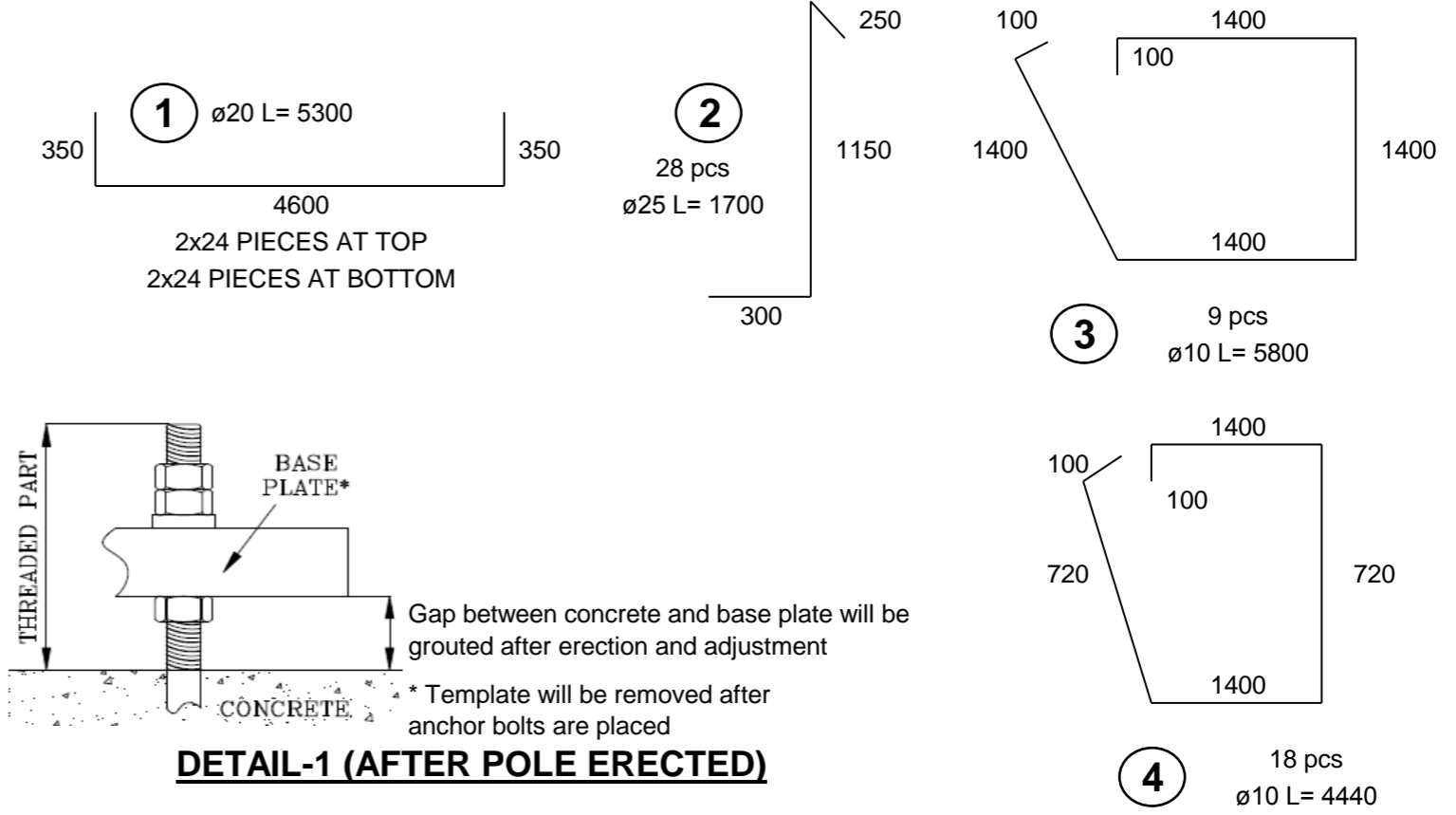
SIDE VIEW



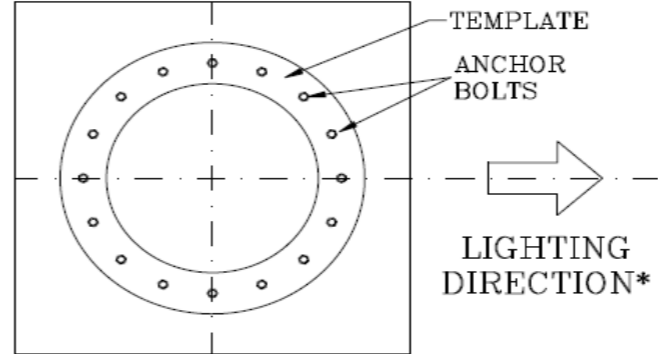
SECTION A-A

- NOTES:
- 1- SOIL BEARING CAPACITY : 1,5 kg/cm²
 - 2- INTERNAL FRICTION ANGLE : 25°
 - 3- CONCRETE CLASS: C30
 - 4- REINFORCEMENT: S420 (fy=365MPa)
 - 5- ALL DIMENSIONS IN MM
 - 6- cc: CLEAN COVER = 75mm

No	ø	qty.	Length (mm)	Total Length (m)	Total Weight (kg)
1	20	96	5300	509	1255
2	25	28	1700	48	183
3	10	9	5800	52	32
4	10	18	4440	80	49
5	12	23	1500	35	31
SUM:				723	1550



DETAIL-1 (AFTER POLE ERECTED)



SECTION B-B

REVIZYON REVISION	B			
PROJE ADI PROJECT	A			
	FOUNDATION DETAILS			
	POLE TYPE PD1 21-44 PLKM			
	HAZIRLAYAN DESIGNED BY	ÇİZEN DRAWN BY	KONTROL CHECKED BY	ONAY APPROVED BY
	A.PEHLIVAN	M.H.SAHIN	K. CANBALOGLU	K. CANBALOGLU
	OLCEK SCALE	TARİH DATE	PAFTA NO DRAWING NO	REV. 00
	NTS	26.08.2016	FND	